

# TL-98QE

**Parts list**

**Teilekatalog**

**Catalogue de pièces détachées**

**A9900-Q9E-Z00**

---



## CONTENTS

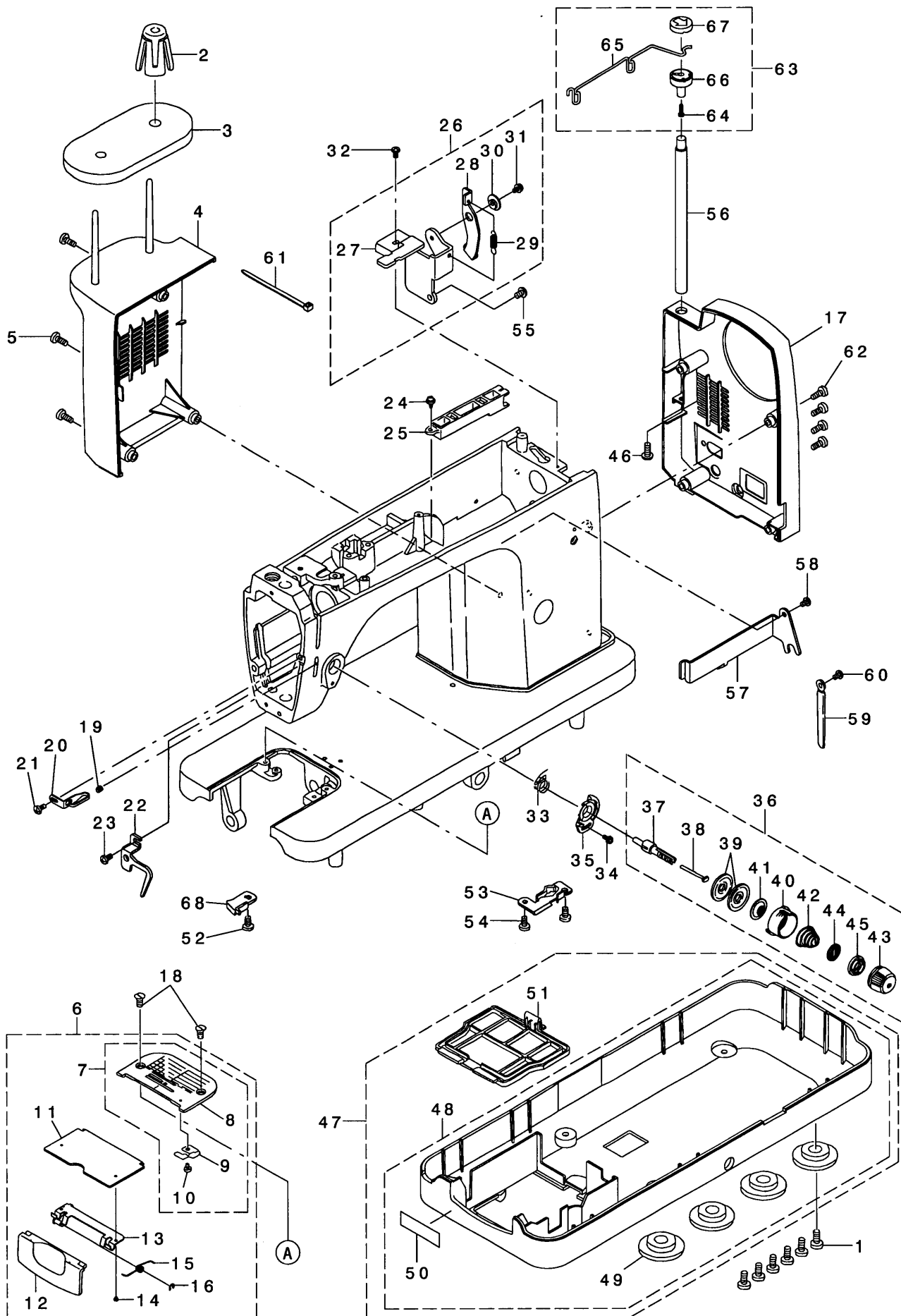
1. HEAD AND OUTER COMPONENTS .....	1
2. ARM COVER, FACE PLATE AND LAMP COMPONENTS .....	3
3. MAIN SHAFT, THREAD TAKE-UP AND IDLER COMPONENTS .....	5
4. NEEDLE BAR AND HOOK DRIVING SHAFT COMPONENTS .....	7
5. FEED MECHANISM COMPONENTS .....	9
6. DROP FEED KNOB COMPONENTS .....	11
7. PRESSER, KNEE LIFTER AND THREAD RELEASE COMPONENTS .....	13
8. MOTOR AND MAIN CIRCUIT BOARD COMPONENTS .....	15
9. ACCESSORIES AND PACKING COMPONENTS .....	17
10. SEPARATELY-SOLD COMPONENTS .....	19

### (Remarks)

The part which has an asterisk (\*) before its part number is not separately available as a spare part so that the accuracy in assembling and smoothness in component investigation are assured.

Consequently, please place your order using the part number of assembly containing the part.

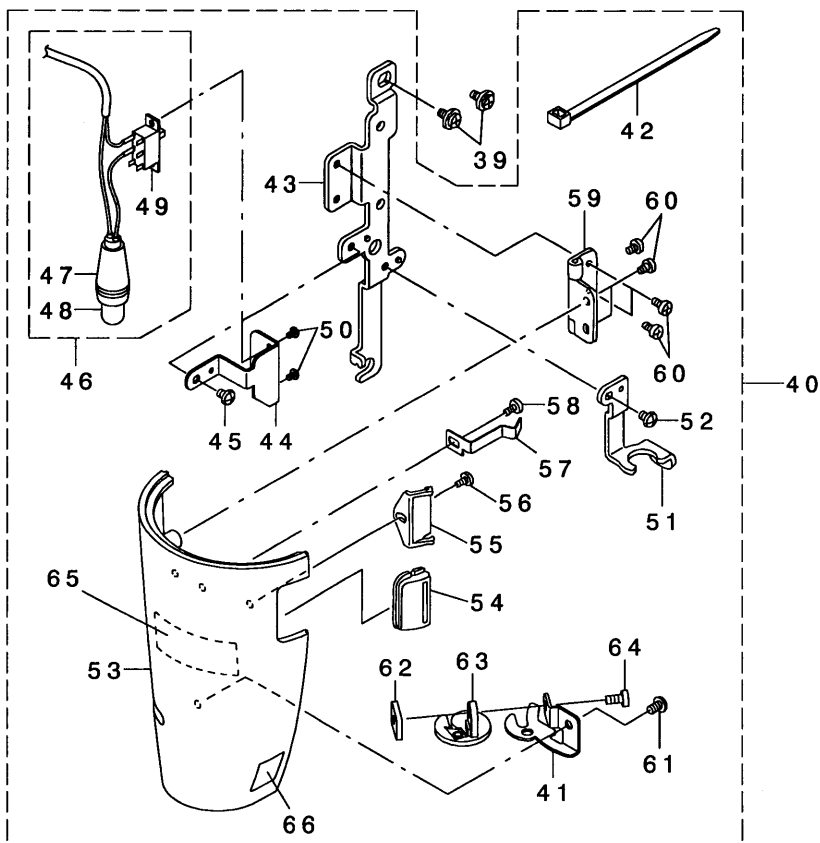
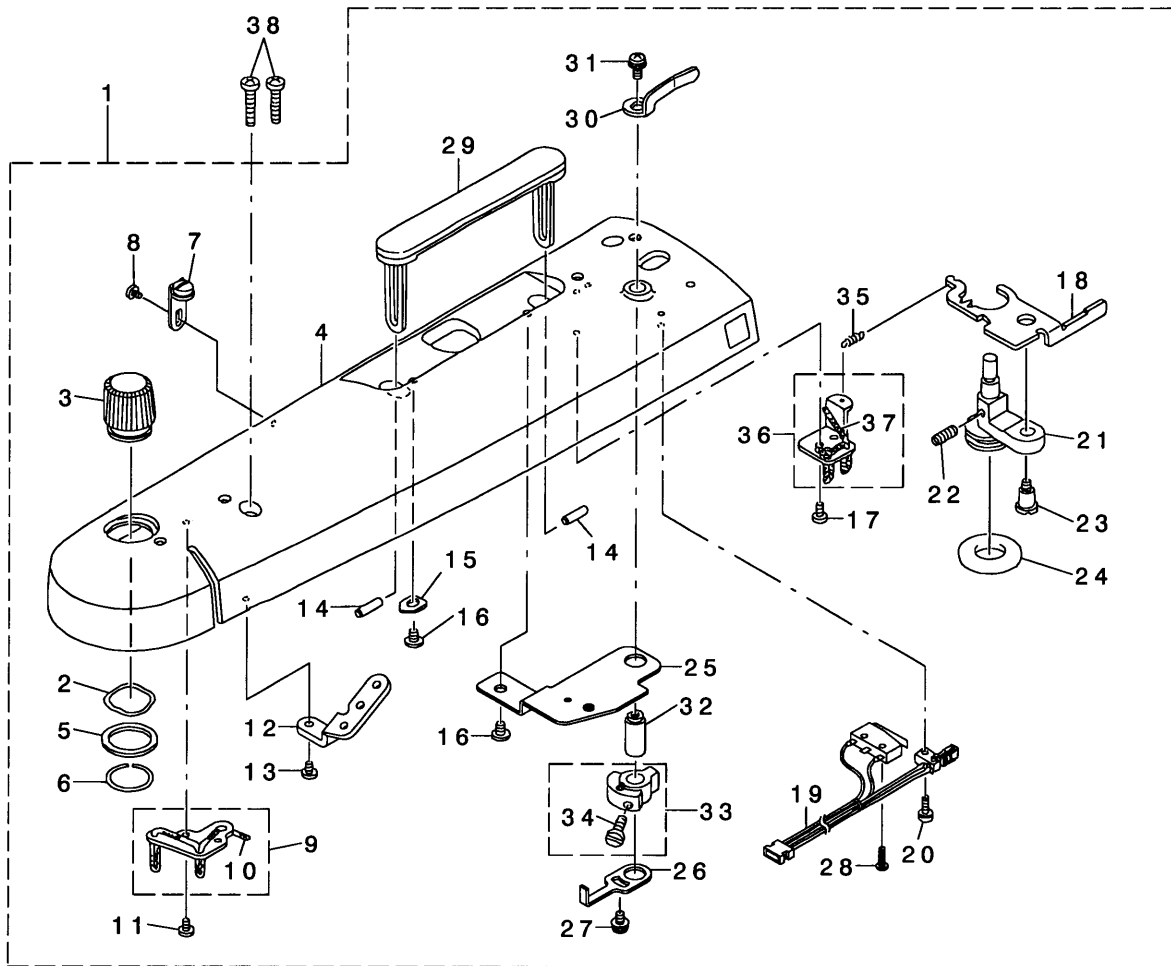
# 1. HEAD AND OUTER COMPONENTS



NO.	NOTE	PARTS NO.	DESCRIPTION	Qty
1		SM-5051255-SN	SCREW	6
2		A1120-202-000	BOBBIN WINDER DEFLECTION STOPPER	1
3		A1121-090-000	BOBBIN WINDER SHEET	1
4		A7105-D25-000	MOTOR COVER	1
5		SM-5041255-SN	SCREW	3
6		A1109-E98-ZCO	NEEDLE PLATE WHOLE MAS. ASM.	1
7		A1109-E98-ZBO	NEEDLE PLATE MAS. ASM.	(1)
8		A1109-E98-Z00	NEEDLE PLATE	(1)
9		A1112-090-000	SPRING	(1)
10		SM-4020201-SN	SCREW	(1)
11		A1110-D98-0A0	BOBBIN CASE COVER ASM.	(1)
12		A1112-D98-000	SIDE COVER	(1)
13		A1113-E98-ZA0	STOPPER PLATE ASM.	(1)
14		SM-4020201-SN	SCREW	(2)
15		A1118-E98-Z00	SPRING	(1)
16		RE-0300000-K0	E-RING	(1)
17		A7103-H25-000	BELT COVER	1
18		SM-1040800-SL	SCREW	2
19		SM-8040602-TP	SCREW	1
20		A3114-D25-000	THREAD GUIDE	1
21		SM-5030655-SN	SCREW	1
22		A3135-096-000	THREAD TENSION THREAD GUIDE	1
23		SM-4040855-SP	SCREW	1
24		SL-5030831-SF	SCREW	1
25		A5001-090-000	CORD GUIDE	1
26		A5000-096-0A0	CORD GUIDE PLATE ASM.	1
27		A5000-096-000	CORD GUIDE PLATE	(1)
28		A5002-096-000	CLUTCH PLATE	(1)
29		A3206-030-000	SPRING	(1)
30		A2435-033-000	LINK COLLAR	(1)
31		SL-5030635-SN	SCREW	(1)
32		SM-5030655-SN	SCREW	1
33		A3128-D98-000	THREAD TAKE-UP SPRING	1
34		SL-5030801-SN	SCREW	1
35		A3111-D98-000	ADJUSTING PLATE	1
36		A3122-D25-0A0A	THREAD TENSIONER ASM.	1
37		A3112-090-00A	THREAD TENSION POST	(1)
38		A3127-090-000A	TENSION RELEASE PIN	(1)
39		B3126-012-000	THREAD TENSION DISK	(2)
40		A3132-D98-000	DISK PRESSER	(1)
41		A3133-D98-000	DISK PRESSER PLATE	(1)
42		B3129-012-A00	THREAD TENSION SPRING A	(1)
43		A3124-D25-000	KNOB	(1)
44		B3120-125-000	ROTATION STOPPER	(1)
45		A3124-096-A00	KNOB RATCHET	(1)
46		SM-5051255-SN	SCREW	1
47		A1160-E98-ZBOA	BED COVER MAS. ASM.	1
48		A1160-E98-ZA0	BED COVER ASM.	(1)
49		A1160-090-00A	RUBBER SEAT	(4)
50		A1161-090-000	BED COVER LID	(1)
51		A1162-E98-Z00	WARNING LABEL	(1)
52		SM-5040855-SN	SCREW	1
53		A8522-090-000	AUXILIARY TABLE SUPPORTING PLATE B	1
54		SM-5040855-SN	SCREW	2
55		SM-5040655-SN	SCREW (LOWER)	1
56		A1120-334-000	THREAD GUIDE POST	1
57		A4502-E98-Z00	CORD GUIDE PLATE	1
58		SM-5040601-SE	SCREW	1
59		A3811-550-000	CORD HOLDER	1
60		SM-5040601-SE	SCREW	1
61		A4078-550-00B	CLIP BAND	1
62		SM-5041055-SN	SCREW	4
63		A1116-D25-0A0	THREAD GUIDE ASM.	1
64	*	ST-4861051-SN	SCREW	(1)
65	*	A1116-D25-000	THREAD GUIDE	(1)
66	*	A1121-313-000	THREAD GUIDE BASE	(1)
67	*	A1120-313-000	THREAD GUIDE TOP	(1)
68		A8521-090-000	AUXILIARY TABLE SUPPORTING PLATE A	1

PLEASE REFER TO REMARKS FOR PARTS MARKED WITH (\*)

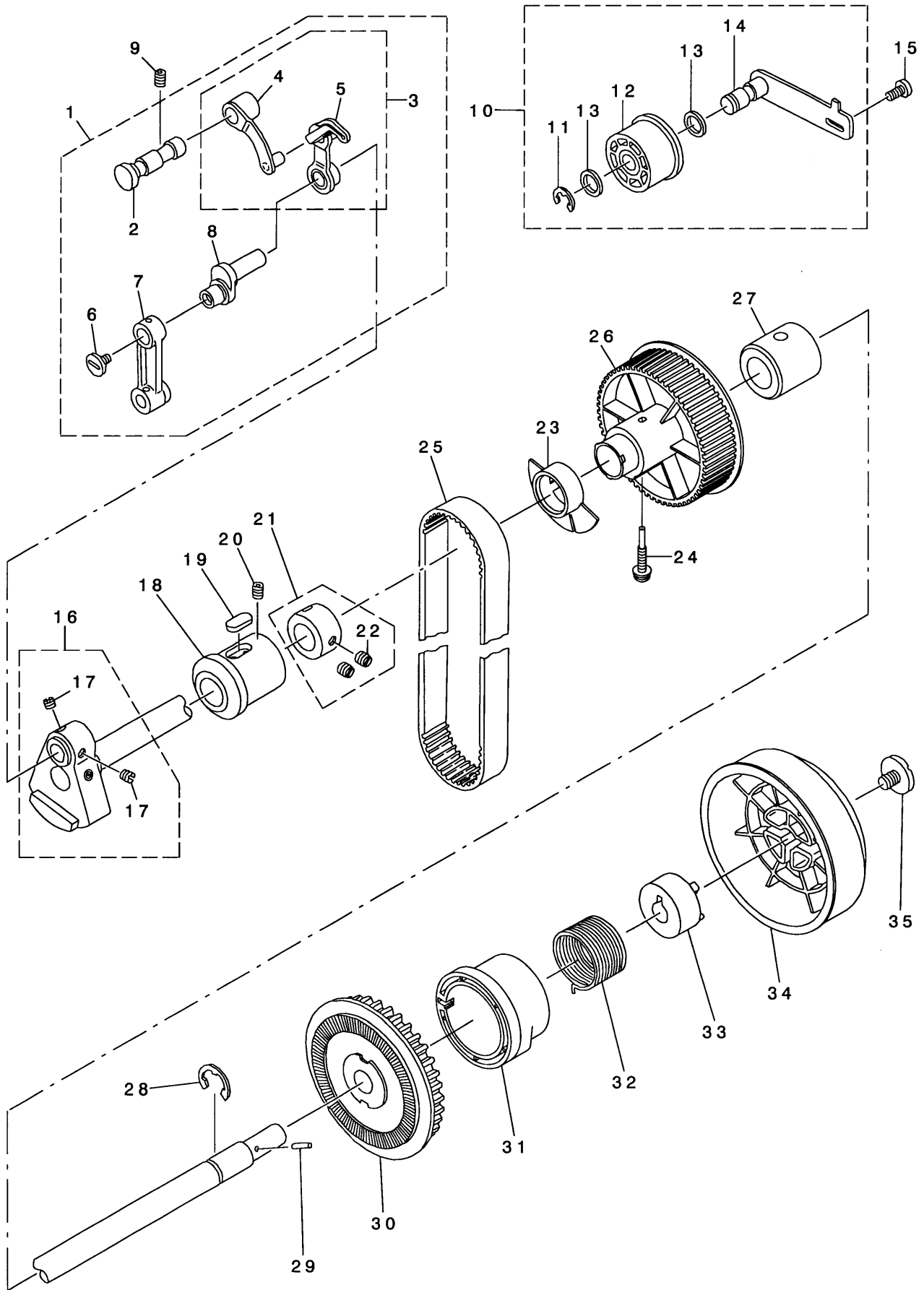
## 2. ARM COVER, FACE PLATE AND LAMP COMPONENTS



NO.	NOTE	PARTS NO.	DESCRIPTION	Qty
1		A1135-Q9E-ZB0	ARM COVER MAS. ASM.	1
2		A1502-090-00C	WASHER	(1)
3		A1502-090-000	KNOB	(1)
4		A1135-Q9E-ZA0	ARM COVER ASM.	(1)
5		A1502-090-00B	WASHER	(1)
6		A1502-090-00A	STOP RING	(1)
7		A3231-957-0A0	THREAD GUIDE BASE ASM.	(1)
8		SM-5030655-SN	SCREW	(1)
9		A1136-090-0AA	STOPPER PLATE A ASM.	(1)
10	*	A1138-090-00A	OIL WICK A	(1)
11		SM-5030655-SN	SCREW	(1)
12		A1128-096-000	THREAD GUIDE NO. 1	(1)
13		SM-5030655-SN	SCREW	(1)
14		A1137-090-000	HANDLE GUIDE SHAFT	(2)
15		A1138-500-000A	WASHER	(1)
16		SM-5040655-SN	SCREW	(2)
17		SM-5030655-SN	SCREW	(1)
18		A3221-096-000	ADJUSTING PLATE	(1)
19		A3226-096-0A0A	BOBBIN WINDER SWITCH ASM.	(1)
20		SL-5031031-SE	SCREW	(1)
21		A3204-090-0A0	BOBBIN WINDER ASM.	(1)
22		A3208-X28-000	SPRING	(1)
23		A3205-090-000	SCREW	(1)
24		A3216-001-00A	RUBBER RING	(1)
25		A3235-096-000	BOBBIN WINDER SWITCH INSTALLING PLATE	(1)
26		A3236-096-000	CONTACT PLATE	(1)
27		SL-5030635-SN	SCREW	(1)
28		SM-4830801-SN	SCREW	(1)
29		A1134-090-0A0	HANDLE ASM.	(1)
30		A3217-072-000	BOBBIN HOLDER	(1)
31		SL-5030801-SN	SCREW	(1)
32		A3218-096-000	BOBBIN HOLDER SHAFT	(1)
33		A3219-096-0A0	BOBBIN WINDER CONTROLLER ASM.	(1)
34		SM-4041055-SF	SCREW	(1)
35		A3222-090-000	SPRING	(1)
36		A1136-090-0AB	OIL WICK HOLDER PLATE B ASM.	(1)
37	*	A1138-090-00B	OIL WICK B	(1)
38		SM-5042005-SN	SCREW	2
39		SL-5040631-SE	SCREW	2
40		A3805-Q98-ZA0	FACE PLATE ASM.	1
41		A3123-D25-000	KNIFE INSTALLING BASE	(1)
42		A4078-550-00B	LAMP CLIP BAND	(2)
43		A3805-096-000	FACE PLATE	(1)
44		A3802-096-000	LAMP SWITCH INSTALLING PLATE	(1)
45		SM-5030455-SF	SCREW	(1)
46		A3801-D25-0A0	LAMP SOCKET ASM.	(1)
47		A3801-D25-000	LAMP SOCKET	(1)
48		A3803-096-000	LAMP BULB	(1)
49		HA-0034600-0A	SLIDE SWITCH	(1)
50		SM-4020301-SC	SCREW	(2)
51		A3804-D25-000	LAMP INSTALLING BASE	(1)
52		SM-5030455-SF	SCREW	(1)
53		A3115-D25-000	FACE COVER	(1)
54		A3116-Q98-Z00	PRESSURE INDICATING PLATE	(1)
55		A3117-090-000	HOLDING PLATE	(1)
56		SM-5030655-SN	SCREW	(1)
57		A3119-096-000	SPRING	(1)
58		SM-5030655-SN	SCREW	(1)
59		A3118-090-0A0	FACE COVER LATCH ASM.	(1)
60		SM-5030655-SN	SCREW	(4)
61		SM-5030501-SC	SCREW	(1)
62		A3151-535-000	NUT	(1)
63		A3120-D25-0A0	THREAD TRIMMER KNIFE ASM.	(1)
64		SM-5030655-SN	SCREW	(1)
65		A3120-E98-Z00	WARNING LABEL FOR LAMP	(1)
66		A3136-E98-Z00	LABEL FOR NEEDLE CHANGE	(1)

PLEASE REFER TO REMARKS FOR PARTS MARKED WITH (\*)

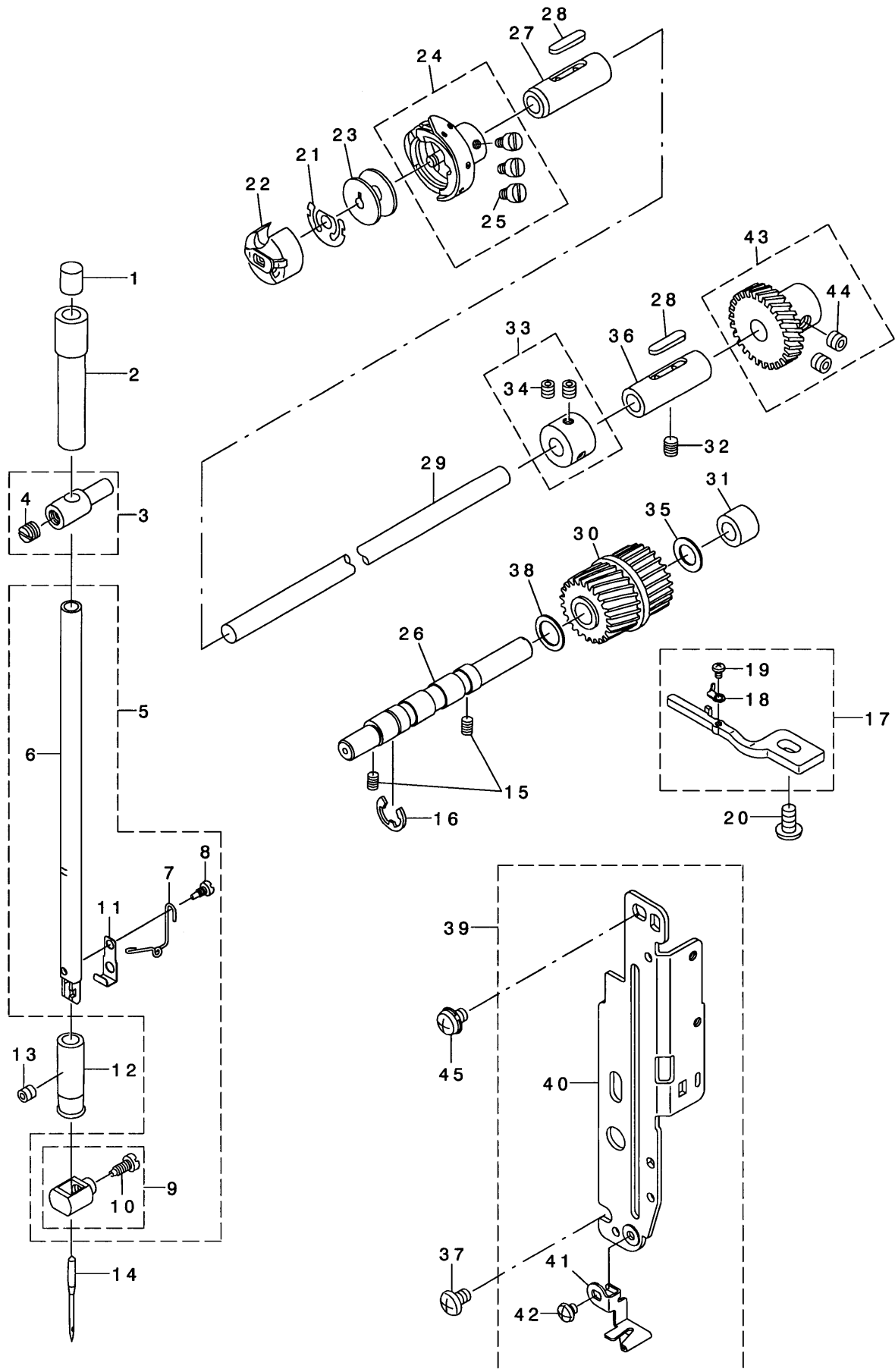
### 3. MAIN SHAFT, THREAD TAKE-UP AND IDLER COMPONENTS



NO.	NOTE	PARTS NO.	DESCRIPTION	Qty
1		A1901-090-0C0	THREAD TAKE-UP MAS. ASM.	1
2		A1902-090-000	THREAD TAKE-UP SUPPORTING SHAFT	(1)
3		A1901-090-0B0	THREAD TAKE-UP ASM.	(1)
4	*	A1904-090-0A0	THREAD TAKE-UP SUPPORT ASM.	(1)
5	*	A1901-090-0A0	THREAD TAKE-UP BODY ASM.	(1)
6		A1219-907-000	LEFT SCREW	(1)
7		A1408-090-000	NEEDLE BAR CRANK ROD	(1)
8		A1209-072-000	NEEDLE BAR CRANK	(1)
9		SM-8050602-TP	SCREW	1
10		A7201-090-0B0	IDLER MAS. ASM.	1
11	*	RE-0600000-K0	E-RING	(1)
12	*	A7203-090-0A0	IDLER ASM.	(1)
13	*	A7204-090-000A	WASHER	(2)
14	*	A7201-090-0A0	IDLER INSTALLING PLATE ASM.	(1)
15		SM-5040855-SN	SCREW	1
16		A1201-D98-0A0	MAIN SHAFT ASM.	1
17		SM-8060502-TP	SCREW	(2)
18		A1202-090-000	MAIN SHAFT FRONT BUSHING	1
19		A1203-007-000	FELT	1
20		SM-8050602-TP	SCREW	1
21		A1205-090-0A0	MAIN SHAFT THRUST COLLAR ASM.	1
22		SM-8060502-TP	SCREW	(2)
23		A1210-D25-000	MAIN SHAFT DETECTOR SHIELD	1
24		A1226-D98-000	SCREW	1
25		A7110-090-000	MAIN SHAFT TIMING-BELT	1
26		A1227-D98-000	MAIN SHAFT PULLEY	1
27		A1204-090-000	MAIN SHAFT REAR BUSHING	1
28		RE-1000000-K0	E-RING	1
29		A1225-090-000	STOPPER PIN	1
30		A1232-090-000A	MOTOR PULLEY	1
31		A1244-096-000	CLUTCH SPRING SUPPORT	1
32		A1248-096-000	CLUTCH SPRING	1
33		A1229-090-000	HAND WHEEL BUSHING	1
34		A1228-090-000A	HAND WHEEL	1
35		A1230-500-000A	SCREW	1

PLEASE REFER TO REMARKS FOR PARTS MARKED WITH (\*)

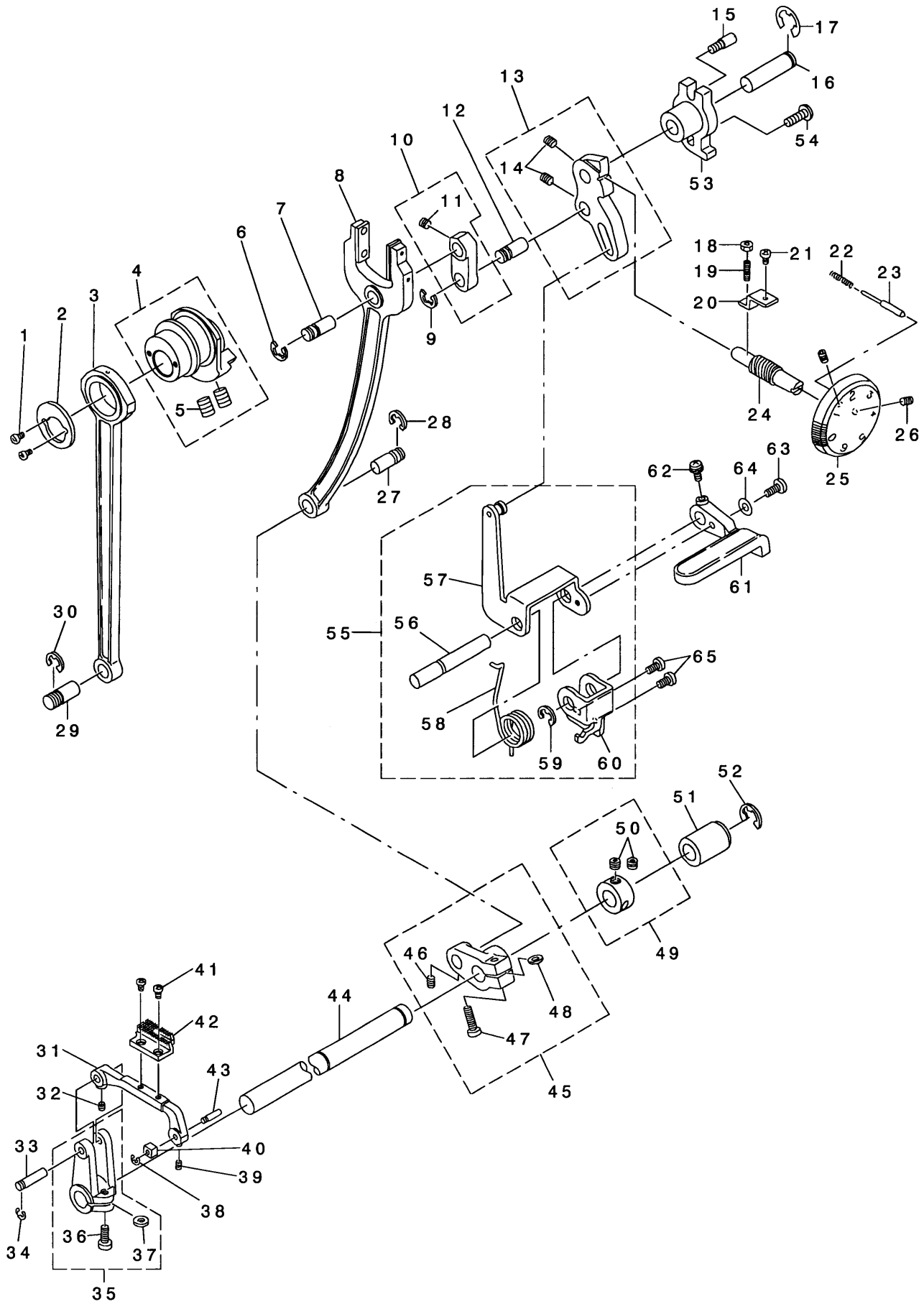
4. NEEDLE BAR AND HOOK DRIVING SHAFT COMPONENTS



NO.	NOTE	PARTS NO.	DESCRIPTION	Qty
1		A1404-072-000	FELT	1
2		A1402-090-000	NEEDLE BAR UPPER BUSHING	1
3		A1411-090-0A0	NEEDLE BAR CONNECTION ASM.	1
4		SM-8060510-SP	SCREW	(1)
5		A1401-096-0B0A	NEEDLE BAR ASM.	1
6		A1401-096-000A	NEEDLE BAR	(1)
7		A1416-096-00AA	NEEDLE BAR THREAD BRACKET	(1)
8		A1420-001-000	SCREW	(1)
9		A1416-096-0A0	NEEDLE CLAMP ASM.	(1)
10	*	A1417-096-000	SCREW	(1)
11		A1402-096-000A	NEEDLE MIS-INSERT PREVENTING PLATE	(1)
12		A1403-090-000	NEEDLE BAR LOWER-BUSHING	1
13		SM-8040402-TP	SCREW	1
14		MHL-500B1400	NEEDLE (HL×5 #14)	1
15		SM-8040602-TP	SCREW	2
16		RE-0600000-K0	E-RING	1
17		A1835-090-0A0A	BOBBIN CASE POSITIONING FINGER ASM.	1
18	*	A1835-090-A00	SPRING	(1)
19	*	SM-4020301-SN	SCREW	(1)
20		SM-5040855-SN	SCREW	1
21		A1837-700-00A	IDLING PREVENTING SPRING	1
22		A1837-090-0A0	BOBBIN CASE ASM.	1
23		A9117-007-000	BOBBIN	1
24		A1830-D25-0A0A	HOOK ASM.	1
25		SS-6110560-TP	SCREW	(3)
26		A1809-D98-000	PULLY ECCENTRIC SHAFT	1
27		A1802-007-000	HOOK DRIVING SHAFT FRONT BUSHING	1
28		B1806-038-000	FELT	2
29		A1801-D98-000	HOOK DRIVING SHAFT	1
30		A1807-090-000	HOOK DRIVING SHAFT PULLEY	1
31		A1809-096-00A	ECCENTRIC SHAFT BUSHING	1
32		SM-8050602-TP	SCREW	1
33		A1891-096-0A0	HOOK DRIVING SHAFT THRUST COLLAR ASM.	1
34		SM-8040402-TP	SCREW	(2)
35		WP-0700616-SP	WASHER B	1
36		A1804-007-000	HOOK DRIVING SHAFT REAR BUSHING	1
37		SM-4040655-SN	SCREW	1
38		WP-0850616-SP	WASHER A	1
39		A1450-Q9E-ZA0	THREAD SUPPORTING PLATE ASM.	1
40		A1450-096-000	THREAD SUPPORTING PLATE	(1)
41		A1419-D25-000	NEEDLE BAR THREAD GUIDE	(1)
42		SM-5030355-SN	SCREW	(1)
43		A1805-D98-0A0	HOOK DRIVING SHAFT GEAR ASM.	1
44		SM-8050402-TP	SCREW	(2)
45		SL-5040631-SE	SCREW	1

PLEASE REFER TO REMARKS FOR PARTS MARKED WITH (\*)

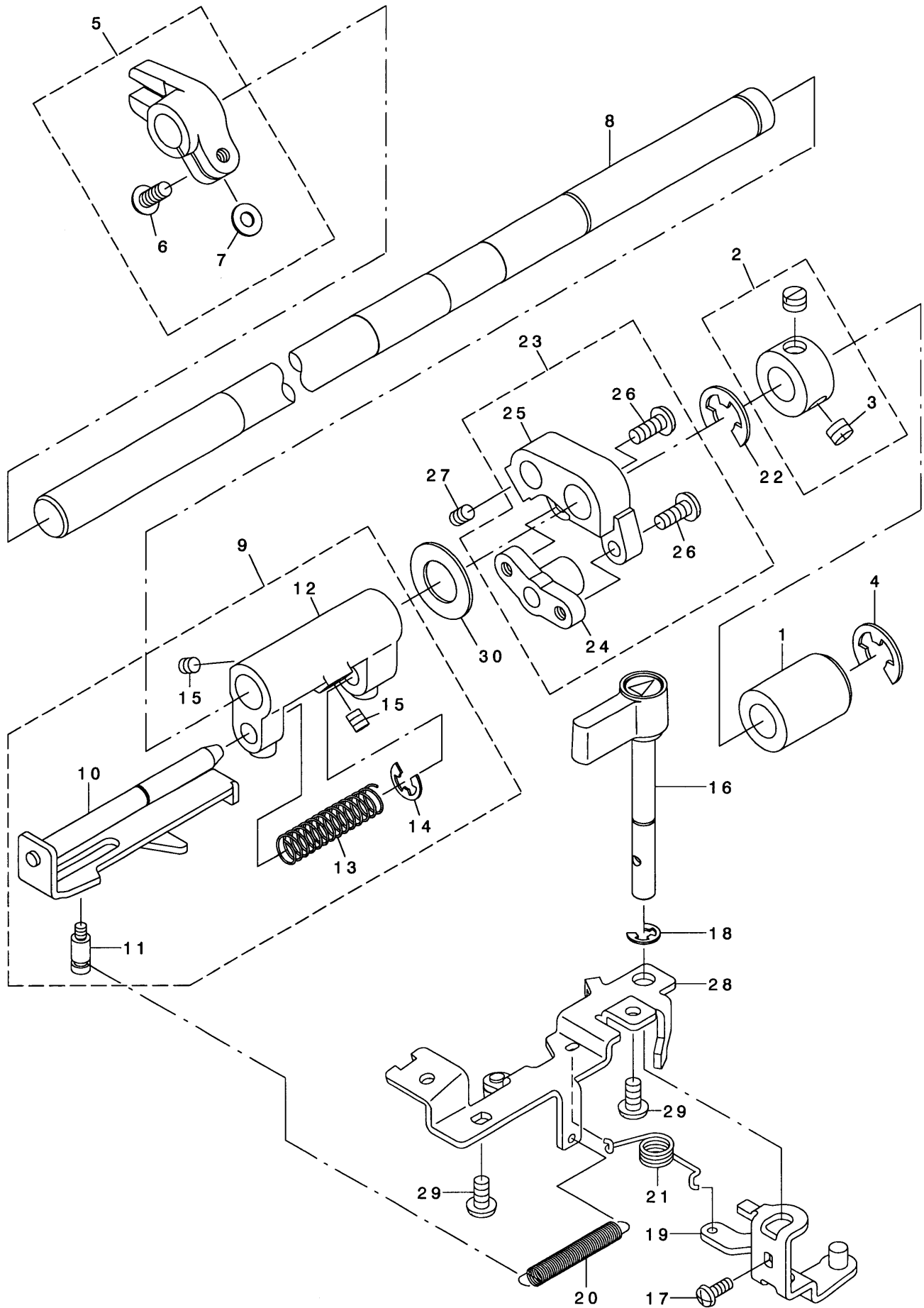
# 5. FEED MECHANISM COMPONENTS



NO.	NOTE	PARTS NO.	DESCRIPTION	Qty
1		SM-4860655-SN	SCREW	2
2		A1208-090-000	FEED CAM THRUST PLATE	1
3		A1701-090-000	FEED ROD	1
4		A1207-090-0A0	FEED CAM ASM.	1
5		SM-8060802-TP	SCREW	(2)
6		RE-0600000-K0	E-RING	3
7		A1618-090-000	CONNECTING SHAFT	1
8		A1614-090-0A0	FORKED ROD ASM.	1
9		RE-0600000-K0	E-RING	1
10		A1619-090-0A0	FORKED LINK ASM.	1
11		SM-8050602-TP	SCREW	(1)
12		A1618-090-000	FORKED ROD SHAFT	1
13		A1622-090-0A0	FEED REGULATOR ASM.	1
14		SM-8050602-TP	SCREW	(2)
15		A1627-090-000A	ROTATION STOPPER	1
16		A1625-090-000A	FEED REGULATOR SHAFT	1
17		RE-0600000-K0	E-RING	1
18		NM-6030002-SF	NUT	1
19		SM-8031400-TP	SCREW	1
20		A1653-090-000	STOPPER	1
21		SM-5030655-SN	SCREW	1
22		B1148-012-000	SPRING	1
23		A1147-090-000	PIN	1
24		A1652-090-000	SCREW	1
25		A1647-096-0A0	FEED DIAL ASM.	1
26		SM-8030402-TP	SCREW	2
27		A1618-090-000	FORKED ROD CONNECTING SHAFT	1
28		RE-0600000-K0	E-RING	1
29		A1618-090-000	FEED ROD CONNECTING SHAFT	1
30		RE-0600000-K0	E-RING	1
31		A1602-090-000	FEED BASE	1
32		SM-8030502-TP	SCREW	1
33		A1603-090-000	FEED BASE SHAFT	1
34		RE-0300000-K0	E-RING	1
35		A1605-090-0A0	FEED SHAFT ARM ASM.	1
36		SM-4041055-SP	SCREW	(1)
37		WP-0430801-SD	WASHER	(1)
38		RE-0200000-K0	E-RING	1
39		SM-8030502-TP	SCREW	1
40		A1710-090-000	FEED BASE SQUARE BLOCK	1
41		A1606-090-000	SCREW	2
42		A1635-090-000	FEED DOG A	1
43		A1711-090-000	SQUARE BLOCK SHAFT	1
44		A1601-096-000	FEED ROD SHAFT	1
45		A1612-090-0A0	FEED ROD ARM ASM.	1
46		SM-8040602-TP	SCREW	(1)
47		SM-5041455-SP	SCREW	(1)
48		WP-0430801-SD	WASHER	(1)
49		A1203-008-0A0	THRUST COLLAR ASM.	1
50		SM-8060502-TP	SCREW	(2)
51		A1604-090-000	REAR BUSHING	1
52		RE-0800000-K0	E-RING	1
53		A1626-090-000A	FEED REGULATOR SHAFT BUSHING	1
54		SM-5041255-SN	SCREW	1
55		A1620-090-0B0	FEED REGULATOR LEVER ARM (PARTIAL ASM. )	1
56	*	A1621-090-000	FEED REGULATOR LEVER SHAFT	(1)
57	*	A1620-090-0A0	FEED REGULATOR LEVER ARM ASM.	(1)
58	*	A1683-090-000	SPRING	(1)
59	*	RE-0600000-K0	E-RING	(1)
60	*	A1623-090-000	INSTALLING PLATE	(1)
61		A1628-090-000A	FEED REGULATOR LEVER	1
62		SL-5030831-SF	SCREW	1
63		SM-5041055-SN	SCREW	1
64		WP-0430801-SC	WASHER	1
65		SM-5040855-SN	SCREW	2

PLEASE REFER TO REMARKS FOR PARTS MARKED WITH (\*)

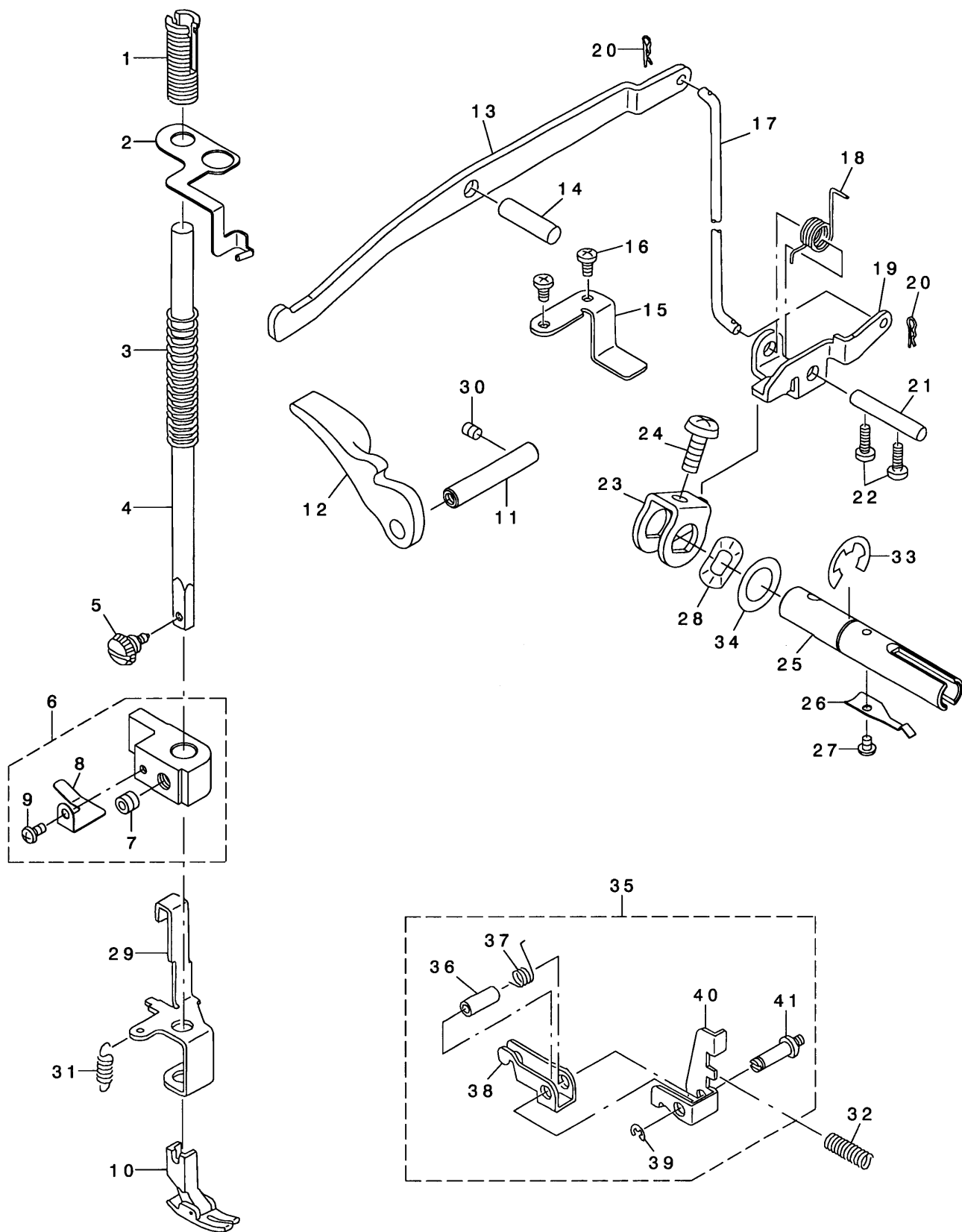
# 6. DROP FEED KNOB COMPONENTS



NO.	NOTE	PARTS NO.	DESCRIPTION	Qty
1		A1604-090-000	VERTICAL FEED SHAFT REAR METAL	1
2		A1203-008-0A0	THRUST COLLAR ASM.	1
3		SM-8060502-TP	SCREW	(2)
4		RE-0800000-K0	E-RING	1
5		A1704-090-0A0	VERTICAL FEED SHAFT ARM ASM.	1
6		SM-4041055-SP	SCREW	(1)
7		WP-0430801-SD	WASHER	(1)
8		A1601-096-000	VERTICAL FEED SHAFT	1
9		A1665-096-0BOA	DROP FEED CHANGE SHAFT PLATE MAS. ASM.	1
10		A1665-096-0AOA	DROP FEED CHANGE SHAFT PLATE ASM.	(1)
11		A1663-096-000	GUIDE PIN A	(1)
12		A1662-096-000	GUIDE	(1)
13		A1667-096-000	SPRING	(1)
14		RE-0500000-K0	E-RING	(1)
15		SM-8040402-TP	SCREW	(2)
16		A1674-D25-0A0	DROP FEED KNOB ASM.	1
17		SM-5030855-SN	SCREW	1
18		RE-0400000-K0	E-RING	1
19		A1671-096-0AOA	DROP FEED ADJUSTING ARM ASM.	1
20		A1668-096-000	GUIDE SPRING	1
21		A1673-096-000	SPRING	1
22		RE-0800000-K0	E-RING	1
23		A1702-096-0A0	VERTICAL FEED ARM ASM.	1
24	*	A1661-096-000	DROP FEED CONNECTING SHAFT SUPPORT	(1)
25	*	A1702-096-000	VERTICAL FEED ARM	(1)
26		SM-5041055-SN	SCREW	(2)
27		SM-8040602-TP	SCREW	1
28		A2446-096-0A0	WIRE INSTALLING PLATE ASM.	1
29		SM-5040855-SN	SCREW	2
30		WP-1000316-RZ	WASHER	1

PLEASE REFER TO REMARKS FOR PARTS MARKED WITH (\*)

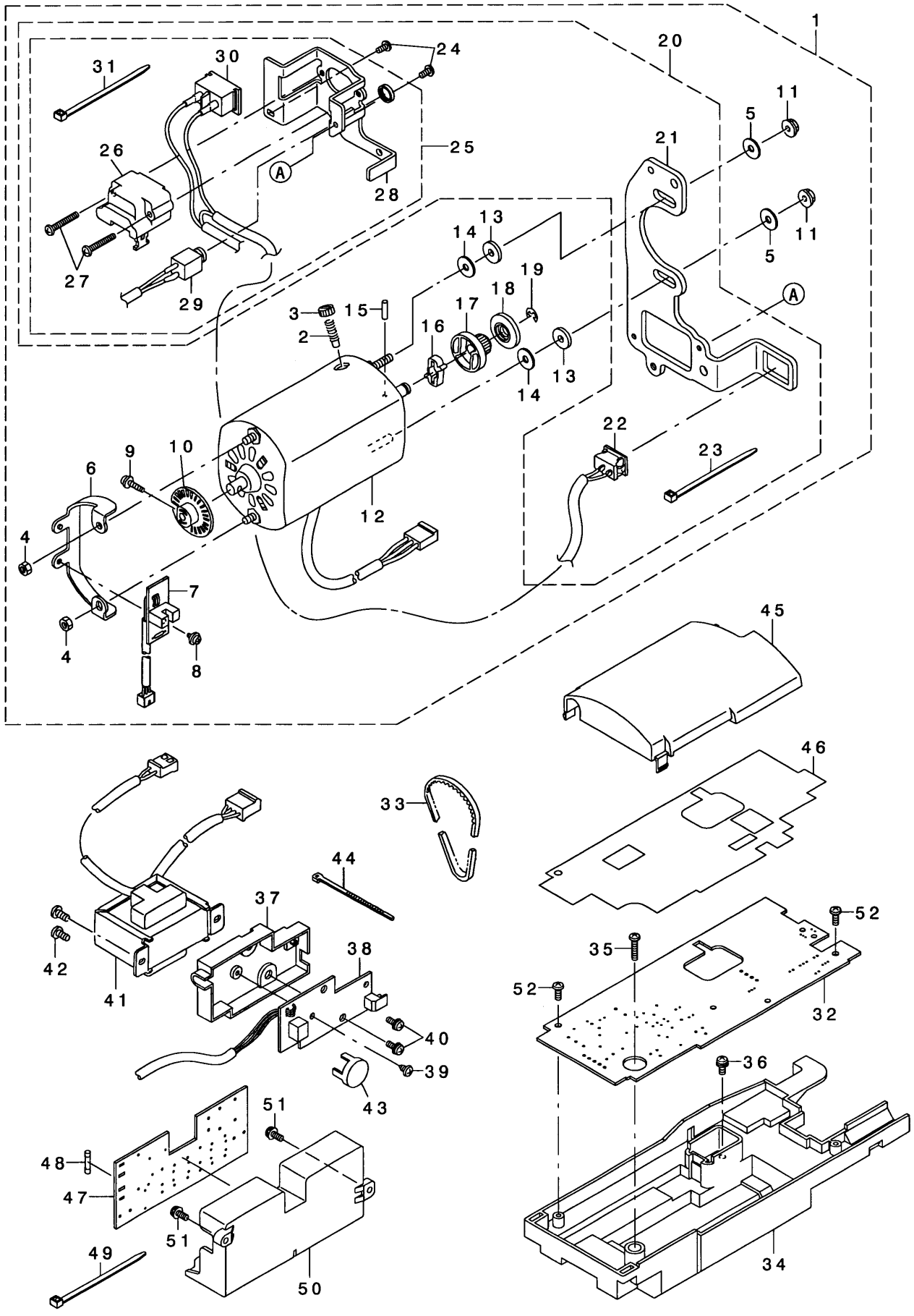
# 7. PRESSER, KNEE LIFTER AND THREAD RELEASE COMPONENTS



NO.	NOTE	PARTS NO.	DESCRIPTION	Qty
1		A1509-090-000	PRESSER REGULATING SCREW	1
2		A1503-D25-0A0	PRESSURE INDICATOR ASM.	1
3		A1505-D25-000	PRESSER SPRING	1
4		A1501-090-000	PRESSER BAR	1
5		A1132-025-000	SCREW	1
6		A1507-X28-0A0	PRESSER BAR CONNECTION ASM.	1
7	*	SM-8060502-TP	SCREW	(1)
8	*	A1506-X28-000	PRESSER BAR CONNECTION SHIM PLATE	(1)
9	*	SM-5030655-SN	SCREW	(1)
10		B1524-012-0A0	STANDARD PRESSER FOOT ASM.	1
11		A1513-X28-000	LIFTING LEVER SHAFT	1
12		A1512-X28-000	LIFTING LEVER	1
13		A3406-090-000	KNEE LIFTER LEVER	1
14		A3407-090-000	KNEE LIFTER LEVER SHAFT	1
15		A3408-090-000	STOPPING PLATE	1
16		SM-5040855-SN	SCREW	2
17		A3413-090-000	KNEE LIFTER LINK	1
18		A3411-090-000	SPRING	1
19		A3412-X28-000	PLATE	1
20		A3413-090-00A	SNAP PIN	2
21		A3410-090-000	CLAW LEVER SHAFT	1
22		SM-5041255-SN	SCREW	2
23		A3422-X28-000	CLAW LEVER ACTUATING PLATE	1
24		SM-5051255-SN	SCREW	1
25		A3420-X28-000	KNEE LIFTER LEVER SHAFT	1
26		A3421-X28-000	SPRING	1
27		SM-5030455-SF	SCREW	1
28		A3106-202-000	WASHER	1
29		A1508-X28-000	PRESSER LEVER	1
30		SM-8040412-TP	SCREW	1
31		A1515-090-000	SPRING	1
32		A1519-090-000	SPRING	1
33		RE-0900000-K0	E-RING	1
34		WP-1220516-RZ	WASHER	1
35		A1517-090-0A0	THREAD RELEASE PLATE ASM.	1
36	*	A1517-090-00C	BUSHING	(1)
37	*	A1517-090-00D	SPRING	(1)
38	*	A1517-090-00B	THREAD RELEASE PLATE B	(1)
39	*	RE-0300000-K0	E-RING	(1)
40	*	A1517-090-00A	THREAD RELEASE PLATE A	(1)
41	*	A1518-090-000	THREAD RELEASE PLATE SHAFT	(1)

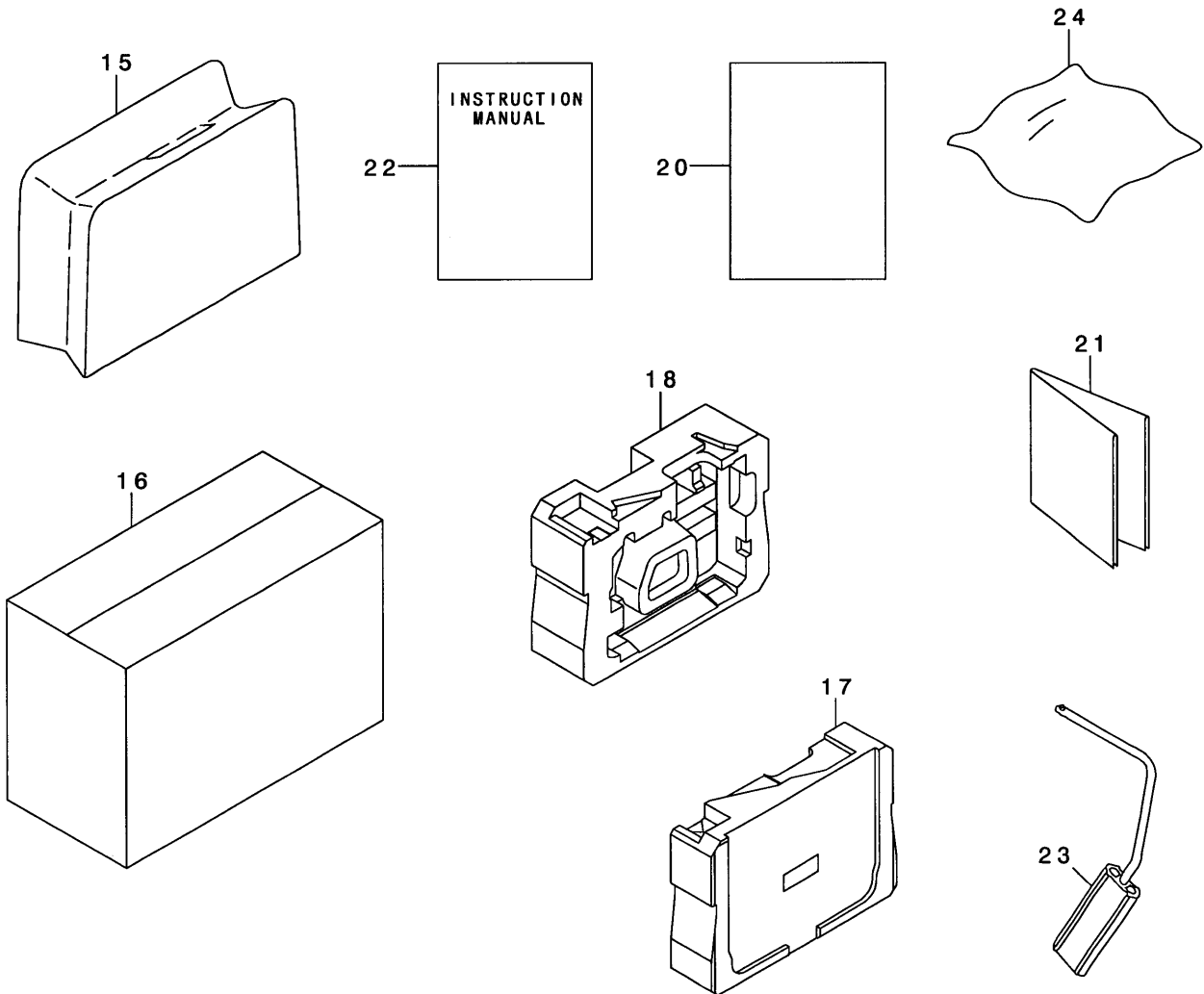
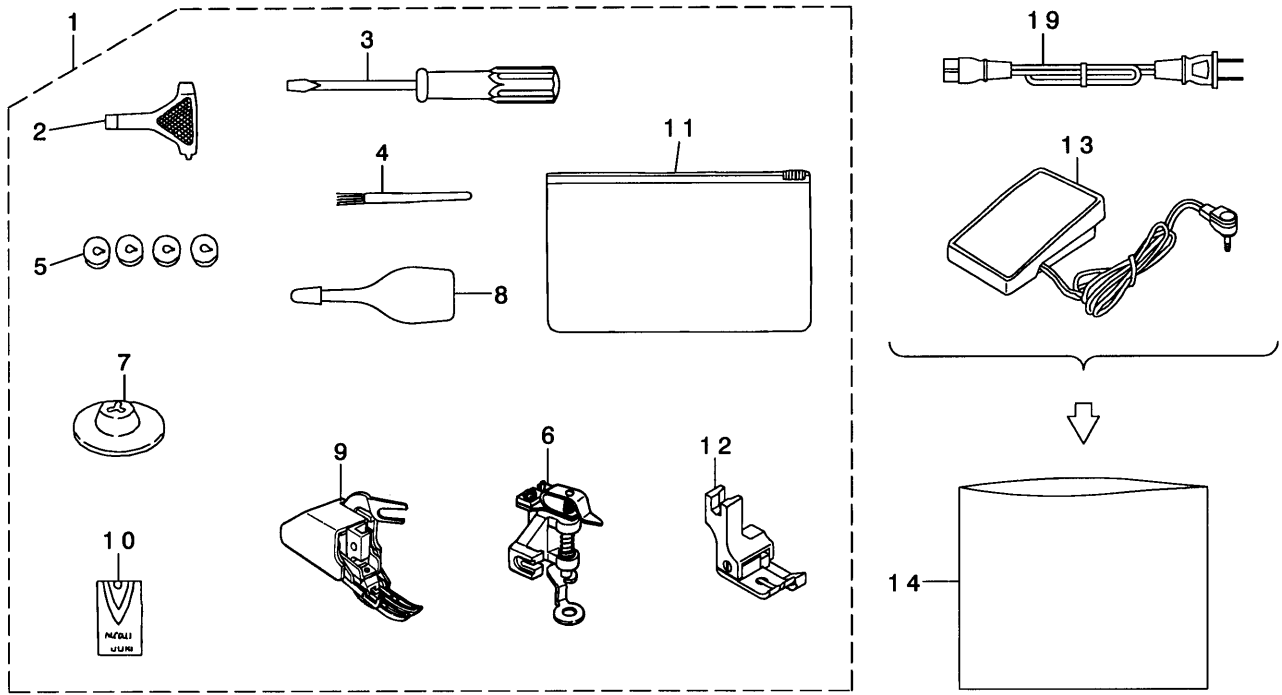
PLEASE REFER TO REMARKS FOR PARTS MARKED WITH (\*)

# 8. MOTOR AND MAIN CIRCUIT BOARD COMPONENTS



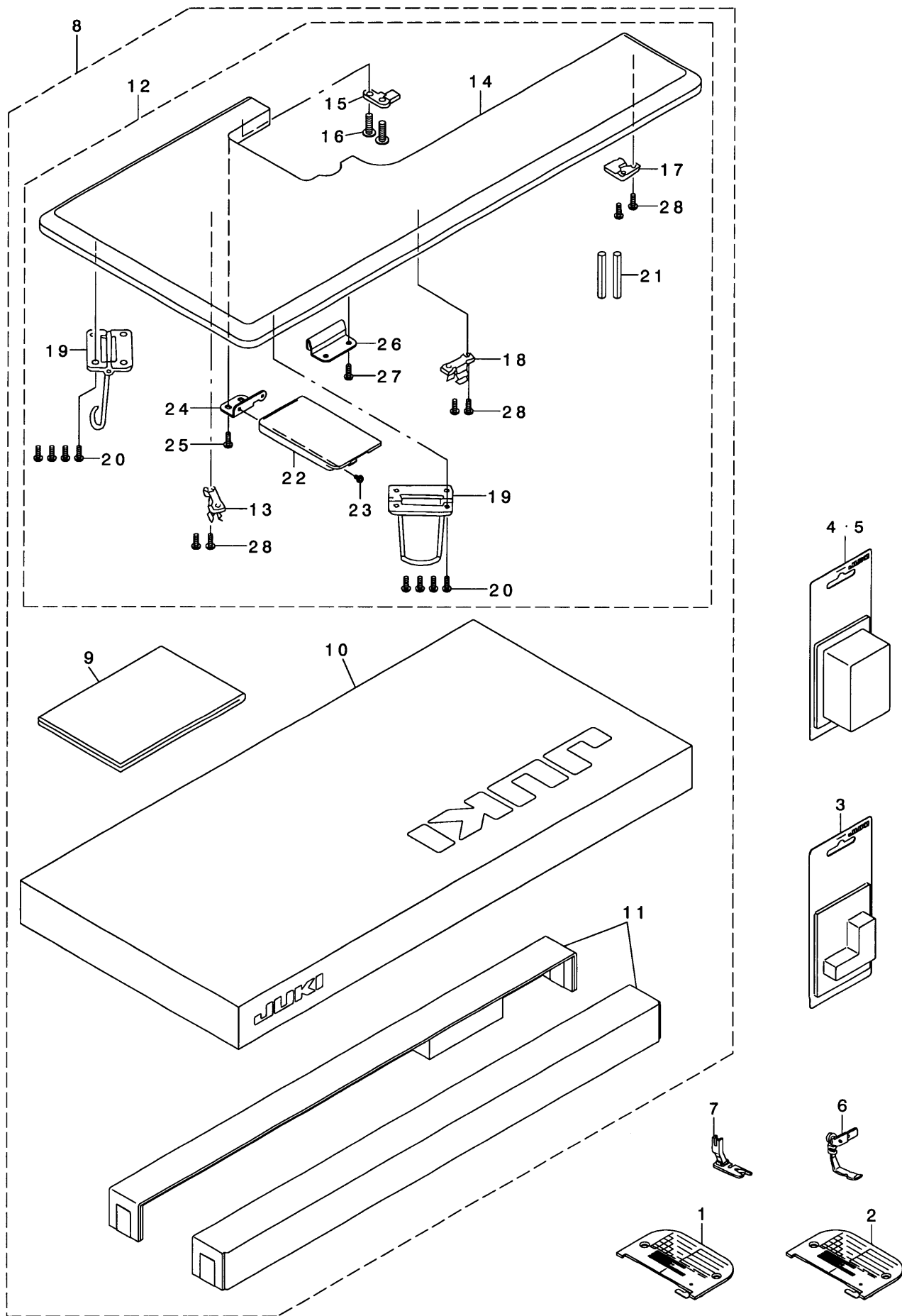
NO.	NOTE	PARTS NO.	DESCRIPTION	Qty
1		A7100-Q9E-ZCO	MOTOR C ASM.	1
2		A7100-090-00D	CARBON BRUSH	(2)
3		A7100-090-00E	BRUSH CAP	(2)
4		NM-6040001-SN	NUT	(2)
5		A7113-D25-000	WASHER	(1)
6		A7120-096-000	MOTOR BOARD INSTALLING BASE	(1)
7		A7122-D25-0A0	MP DETECTION BOARD ASM.	(1)
8		SL-5030531-SF	SCREW	(1)
9		SL-5031251-SP	SCREW	(1)
10		A7121-096-0A0	MP DETECTION BOARD SHUT PLATE ASM.	(1)
11		NM-3040550-SC	NUT	(2)
12		A7100-Q98-ZA0A	MOTOR A ASM.	(1)
13		060702001-000	SPACER	(1)
14		WP-0451016-SC	WASHERS	(1)
15		PS-0200142-KP	MOTOR SHAFT PULLEY PIN	(1)
16		A7100-009-00C	MOTOR RUBBER CUSHION	(1)
17		A7100-D98-00A	MOTOR SHAFT PULLEY	(1)
18		A7100-D98-00B	PULLEY FLANGE	(1)
19		RE-0400000-KR	E-RING	(1)
20		A7101-Q9E-ZA0	MOTOR BRACKET ASM.	(1)
21		A7101-090-000	MOTOR BRACKET	(1)
22		A4032-01S-Z00	POWER SWITCH	(1)
23		A4078-550-00B	CLIP BAND	(1)
24		SM-5030655-SN	SCREW	(2)
25		A4501-Q9E-ZA0	INLET INSTALLING PLATE ASM.	(2)
26		A4503-E98-Z00	INLET COVER	(1)
27		SM-5032051-SE	SCREW	(2)
28		A4501-E98-Z00	INLET INSTALLING PLATE	(1)
29		A4015-E98-ZA0	CONTROLLER SOCKET ASM.	(1)
30		A4100-Q98-ZA0A	POWER CORD INLET ASM.	(1)
31		A4078-550-00B	CLIP BAND	(1)
32		A4040-Q98-ZA0A	MAIN BOARD ASM.	1
33		A7112-090-000	MOTOR TIMING BELT	1
34		A4043-D25-000	POWER BOARD COVER	1
35		SM-5031401-SE	SCREW B	1
36		SL-5030831-SF	SCREW A	1
37		A3225-096-000	THREAD TRIMMER SWITCH BOARD CASE	1
38		A3227-H25-0A0A	THREAD TRIMMER SWITCH BOARD ASM.	1
39		ST-5030551-SR	SCREW	1
40		SL-5030831-SF	SCREW	2
41		A4505-Q98-ZA0A	POWER TRANSFORMER ASM.	1
42		SM-5040855-SN	SCREW	2
43		A4011-096-000	HALF STITCH SWITCH BUTTON	1
44		A4078-550-00B	MAIN BOARD CLIP BAND	4
45		A4042-D25-000	CASE COVER	1
46		A4044-D25-000	MAIN BOARD INSULATION SEAT	1
47		A4035-Q98-ZA0A	FILTER BOARD ASM.	1
48		HF-0059050-P0	FUSE	1
49		A4078-550-00B	FILTER BOARD CLIP BAND	1
50		A4016-D25-000	FILTER BOARD COVER	1
51		SL-5030851-SN	SCREW	2
52		ST-5030851-SN	SCREW	2

## 9. ACCESSORIES AND PACKING COMPONENTS



NO.	NOTE	PARTS NO.	DESCRIPTION	Qty
1		A9121-Q9E-ZA0	ACCESSORY BAG ASM.	1
2		A9110-700-000	SCREWDRIVER	(1)
3		A9103-102-000	SCREWDRIVER (MIDDLE)	(1)
4		A9137-956-000	CLEANING BRUSH	(1)
5		A9117-007-000	BOBBIN	(4)
6		A5133-E98-BB0	1/4 QUILTING FOOT	(1)
7		A1150-090-000	SPOOL CAP	(1)
8		A9102-062-BA0	OILER	(1)
9		A9150-E98-ZA0A	UPPER FEED ATTACHMENT ASM.	(1)
10		A9146-Q9E-ZA0	NEEDLE (HL×5 #14, #16)	(1)
11		A9121-503-000A	ACCESSORY BAG	(1)
12		A5140-E98-ZA0	COMPENSATING FOOT ASM.	(1)
13		A7102-Q98-ZA0B	CONTROLLER ASM.	1
14		A8006-096-000	PEDAL SWITCH CASE ASM. PACKING BAG	1
15		A8401-D25-000A	MAIN BODY CASE	1
16		A9101-Q9E-Z0C	CARTON CASE (HEAD)	1
17		A9301-Q9E-Z0C	FRONT STYROFOAM	1
18		A9302-Q9E-Z0C	REAR STYROFOAM	1
19		A6071-776-ZA0A	POWER CORD SET ASM.	1
20		A9153-65D-000	WARRANTY CARD	1
21		A9900-Q9E-Z00	PARTS SHEET	1
22		A9250-Q9E-Z00	INSTRUCTION MANUAL	1
23		A3425-X28-OA0	KNEE PAD ASM.	1
24		J0231-082-A0B	HEAD VINIL SHEET	1

10. SEPARATELY-SOLD COMPONENTS



NO.	NOTE	PARTS NO.	DESCRIPTION	Qty
1		A1109-090-AA0A	NEEDLE PLATE (FOR THIN MATERIALS)	1
2		A1109-090-BA0A	NEEDLE PLATE (FOR THICK MATERIALS)	1
3		A9813-096-0A0	PRESSER FOOT FOR THIN MATERIALS ASM.	1
4		A9811-E98-AA0	1/5 QUILTING FOOT	1
5		A9811-E98-BA0	1/4 QUILTING FOOT	1
6		A9133-090-000	ZIPPER FOOT	1
7		A9104-090-000	ROLLED HEMMING FOOT	1
8		A8501-Q9E-ZBC	AUXILIARY TABLE PACKING MAS. ASM.	1
9		A9404-090-000	AUXILIARY TABLE POLYETHYLENE BAG	(1)
10		A9400-Q9E-Z0C	CARTON CASE (FOR AUXILIARY TABLE)	(1)
11		A9401-Q9E-ZA0	AUXILIARY TABLE SUPPORT PLATE ASM.	(1)
12		A8501-E98-ZA0	AUXILIARY TABLE ASM.	(1)
13		A8504-090-000	KNEE PAD RETAINER	(1)
14		A8501-E98-Z00	AUXILIARY TABLE	(1)
15		A8502-090-000	AUXILIARY TABLE CLAW A	(1)
16		ST-0751651-SN	SCREW	(2)
17		A8503-090-000	AUXILIARY TABLE CLAW B	(1)
18		A8504-090-000	KNEE PAD RETAINER	(2)
19		A8505-090-0A0	AUXILIARY TABLE STAND ASM.	(2)
20		ST-5041211-SN	SCREW	(8)
21		PS-0200142-KH	PIN	(2)
22		A8508-D98-000	BOBBIN LID	(1)
23		SL-5030635-SN	SCREW	(2)
24		A8509-D98-000	LID INSTALLING PLATE	(1)
25		ST-5041211-SN	SCREW	(2)
26		A8510-D98-000	HOOK SUPPORT BASE	(1)
27		ST-5041211-SN	SCREW	(2)
28		ST-5041211-SN	SCREW	(6)

**JUKI CORPORATION**  
**HOUSEHOLD SEWING MACHINE DIV.**  
8-2-1, KOKURYO-CHO,  
CHOFU-SHI, TOKYO 182-8655  
JAPAN

**PHONE : 03(3480)5034**  
**FAX : 03(3480)5037**

Copyright © 2005 JUKI CORP.  
All rights reserved throughout the world.

**05.12 Printed in Japan**

---